

Product information sheet FWD Max

Item no. 456440

Benefits



- Premium model for disposing of household food waste in larger households
- 3 stage grinding for very fine grinding results
- Ultra-quiet operation
- Auto reverse function
- Grinding components made of stainless steel
- High quality and powerful AC induction motor
- 1200 ml volume grinding chamber
- Easy to install thanks to 3 bolt installation system
- Optimal interface management for BLANCO sinks and bowls

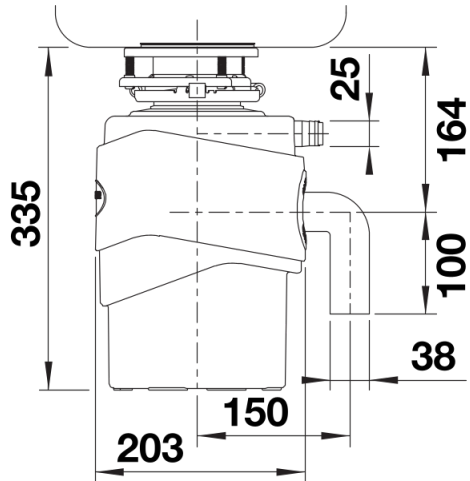
Planning information

- 3 ½ " sink outlet required
- Product weight
- Non-detachable 90 cm power cord
- Reset-button of the FWD (note accessibility)

Scope of supply

- Removable easy to clean baffle
- Built-in air switch with cover in Chrome and PVD steel
- Plug and strainer to close drain
- L-pipe with dishwasher or overflow connection
- Overflow connection for BLANCO sinks

Details



Side view

auto-reverse function: Yes
automatic shutdown: Yes
dishwasher connection: Yes
feeding type: continuous
frequency: 50 Hz
grinding chamber capacity: 1200 ml
grinding components material: stainless steel
max. power consumption (W): 750 W
motor type: AC
mounting type: 3 bolt installation
overload protection: Yes
power plug type: G
rated current: 12 A
RPM: 1470 r/min
voltage: 230 V