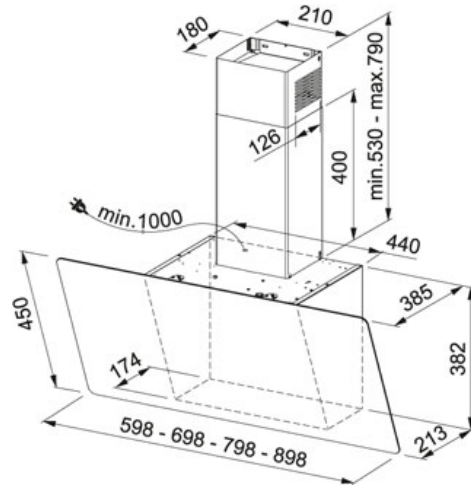


330.0528.067

FAMILY : Hoods | MODEL : FPJ 925 V BK/SS | INSTALLATION TYPE : Wall | SERIE : Evo Plus | FINISH : Stainless Steel-Glass Black



TECHNICAL DATA

Power (W)	270-W
Total Power	272-W
Number of speeds	3+INT.
Capacity DIN IEC 61591 Min.	310-M3/H
Capacity DIN IEC 61591 Max.	580-M3/H
Capacity DIN IEC 61591 Int.	720-M3/H
Noiselevel DIN EN 60704-3 Min.	52 dB(A)
Noiselevel DIN EN 60704-3 Max.	62 dB(A)
Noiselevel DIN EN 60704-3 Int.	65 dB(A)
Illumination	LEDS 2x1W
Width Hood in cm	90.00 cm
Hood Type	ASPIRANT
Energy Class	A
Outlet tube diameter	Ø 150 mm
Voltage	220-240V
Pressure	550.00 Pa
Recommended positioning height above hob	450 mm
Charcoal filter	INCLUDED
Type of motor	EVO+
Surface Finish	SS / GLASS
Delay Timer	YES

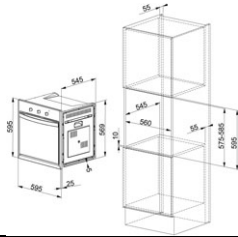
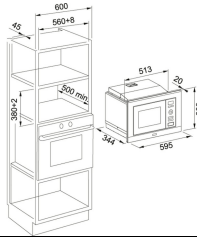
FEATURES

- 3± 3 Speed + Intensive
- ⌚ Timer Digital Display
- ☒ Perimetric Extraction

330.0528.067

FAMILY : Hoods | MODEL : FPJ 925 V BK/SS | INSTALLATION TYPE : Wall | SERIE : Evo Plus | FINISH : Stainless Steel-Glass Black

RECOMMENDED



131.0574.627

116.0541.715

106.0496.077
